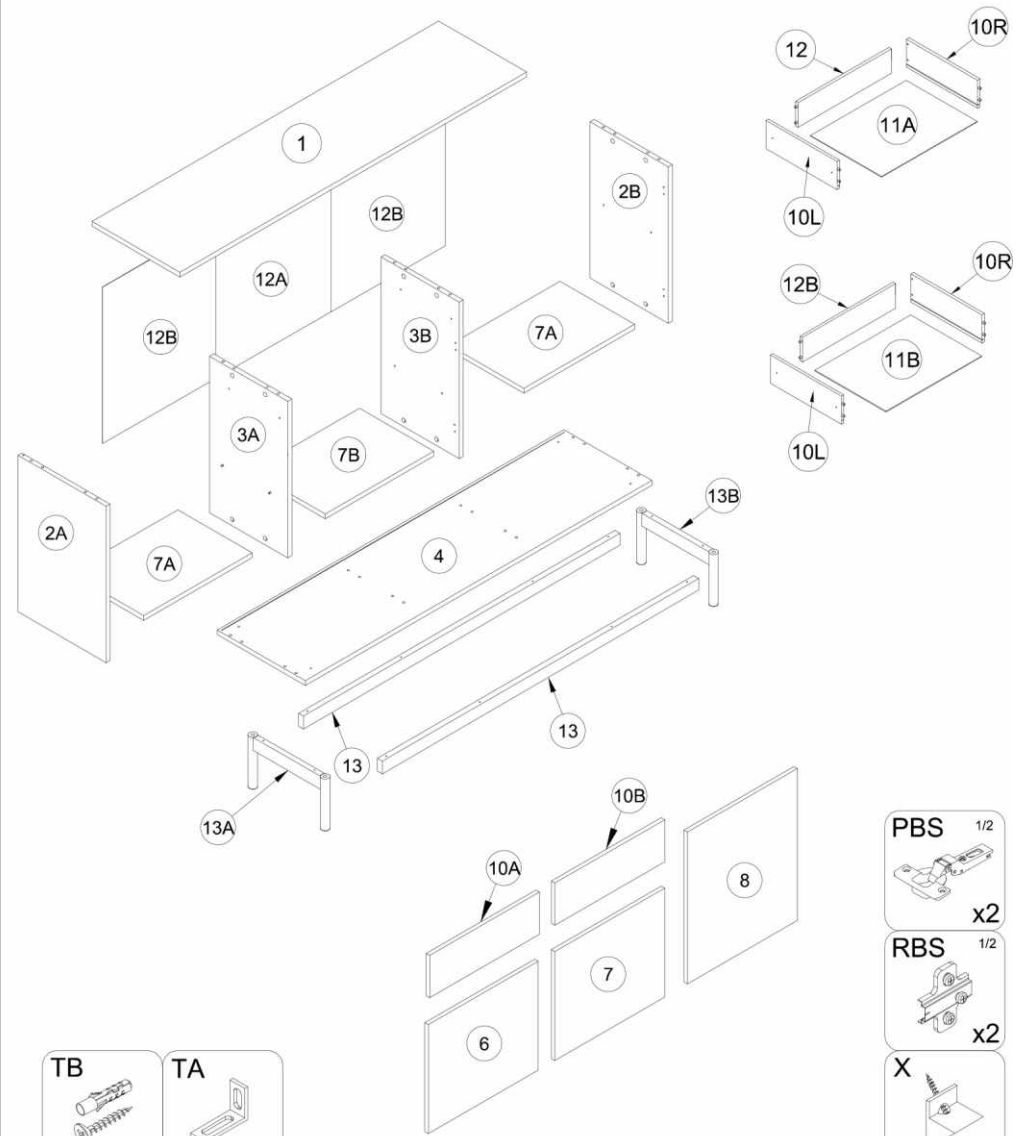
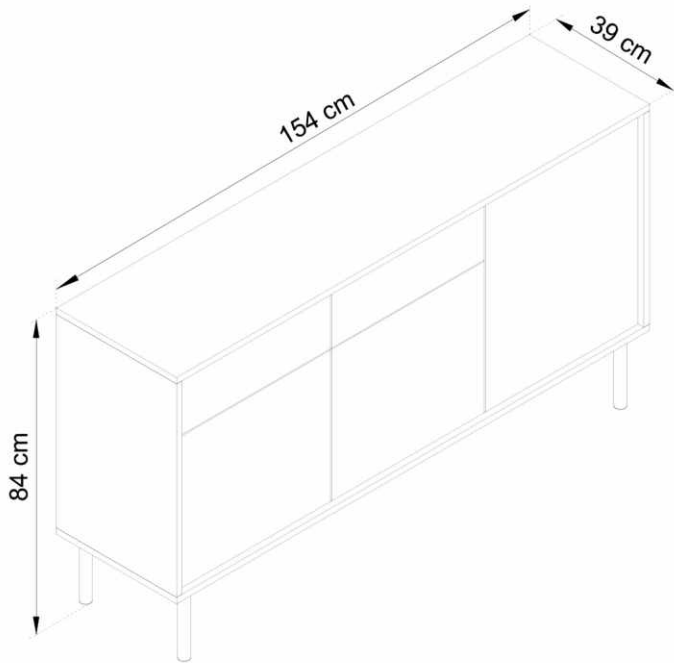


BERGEN

BK 154



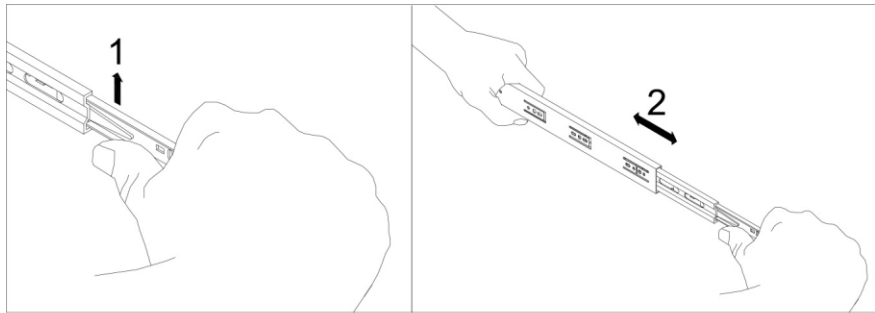
- | | | | | | | | | | |
|----------|---------------|---------------|-----------------|---------------|------------|-----------|---------------|------------------|----------|
| TB
x1 | TA
x1 | PBS
x4 | N 3x20
x16 | W 4x55
x12 | GLUE
x2 | C
x16 | Z
x16 | ND 3,5x16
x21 | KK
x5 |
| B
x16 | A 8x32
x24 | HD 6x30
x4 | H 6,3x13
x12 | ZC
x8 | PPW
x4 | ZZ
x12 | V 3x13
x12 | | |

- PBS 1/2
x2

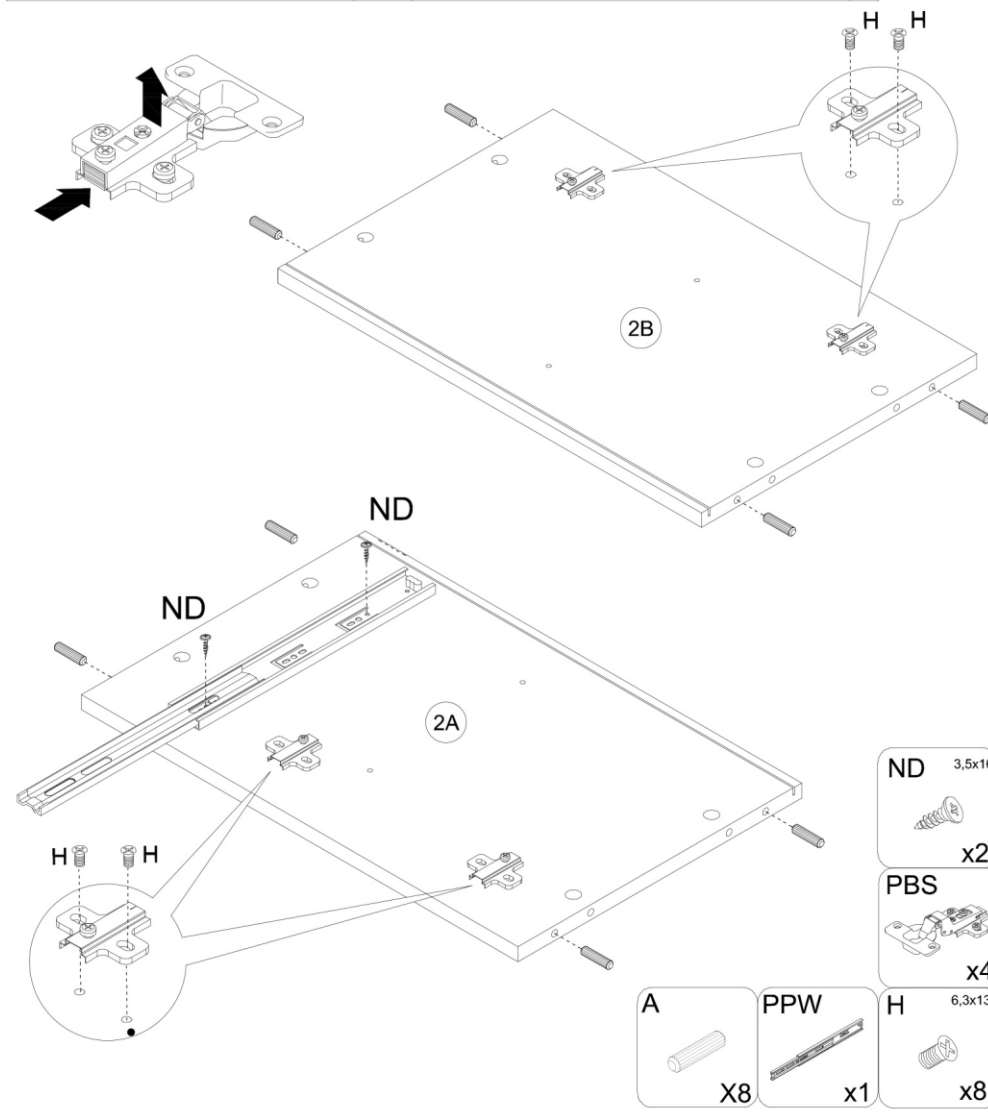
- RBS 1/2
x2

- X
x16

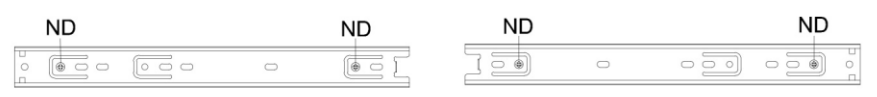




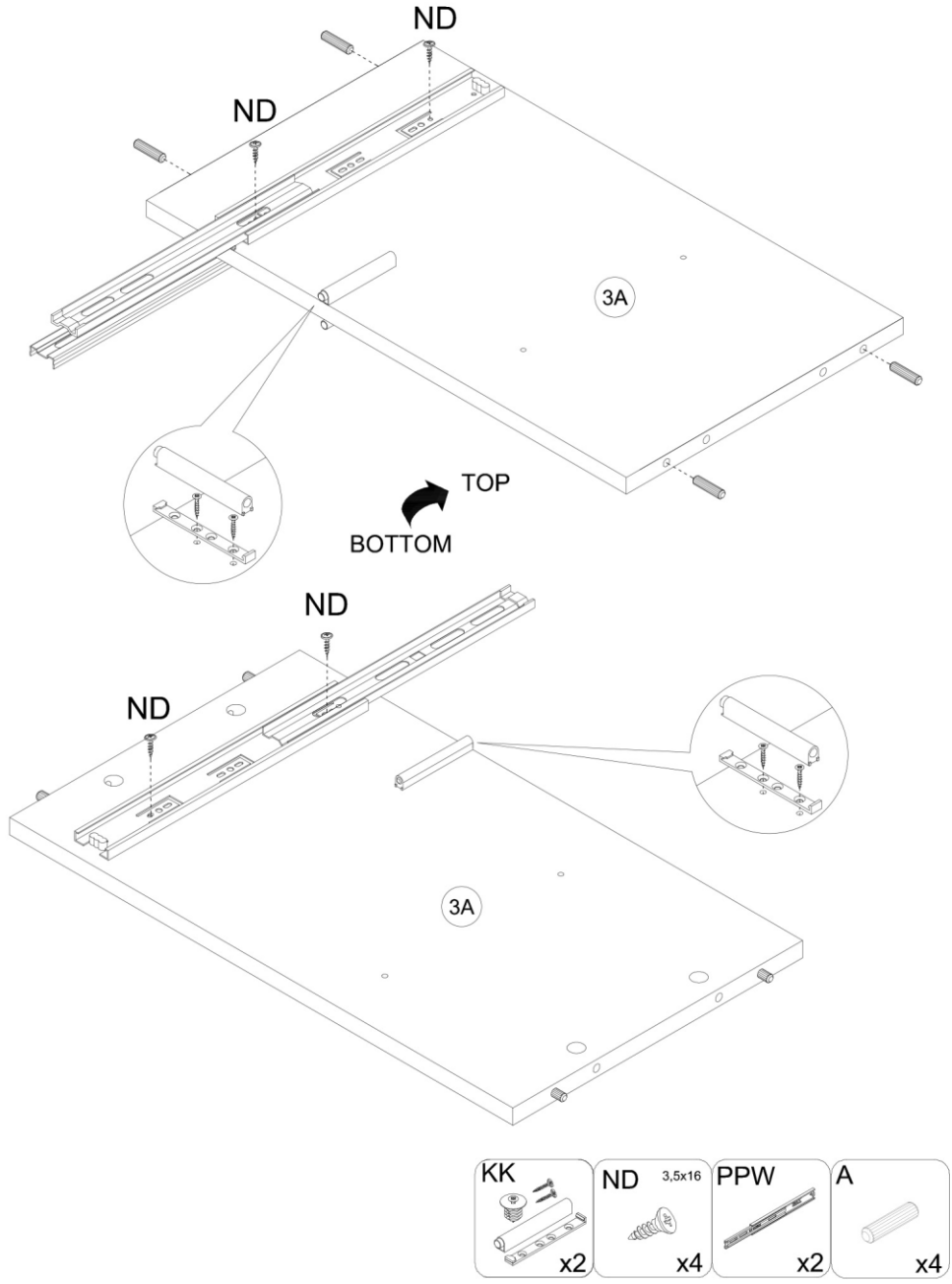
1



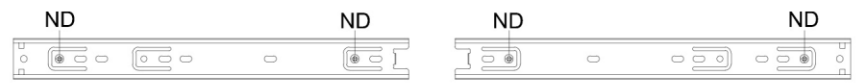
- ND 3,5x16 x2
- PBS x4
- A x8
- PPW x1
- H 6,3x13 x8



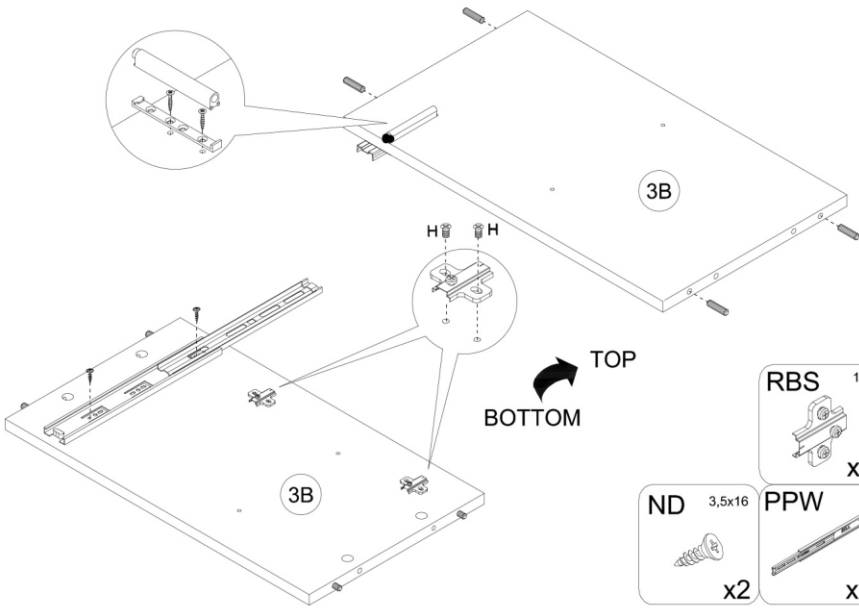
2



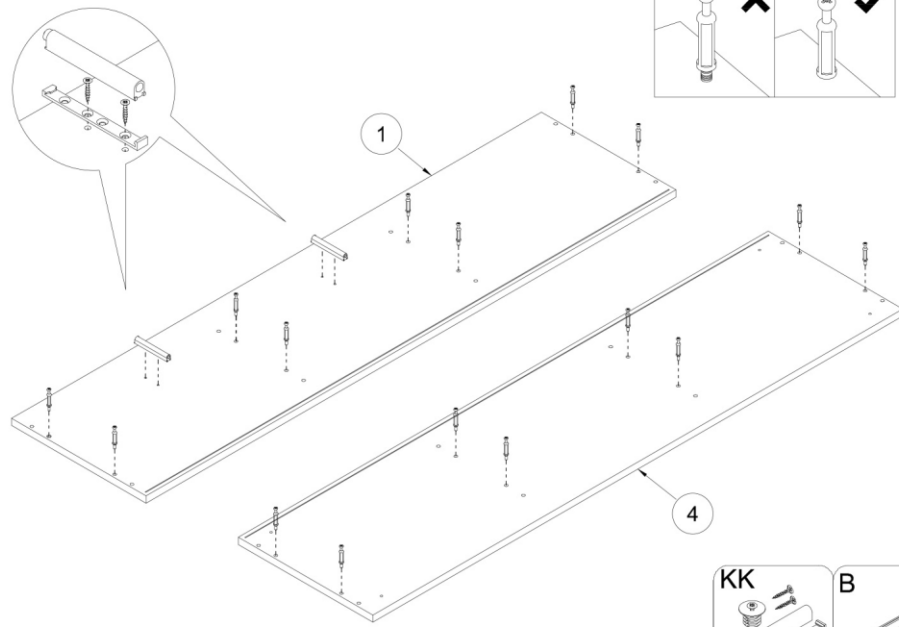
- KK x2
- ND 3,5x16 x4
- PPW x2
- A x4



3

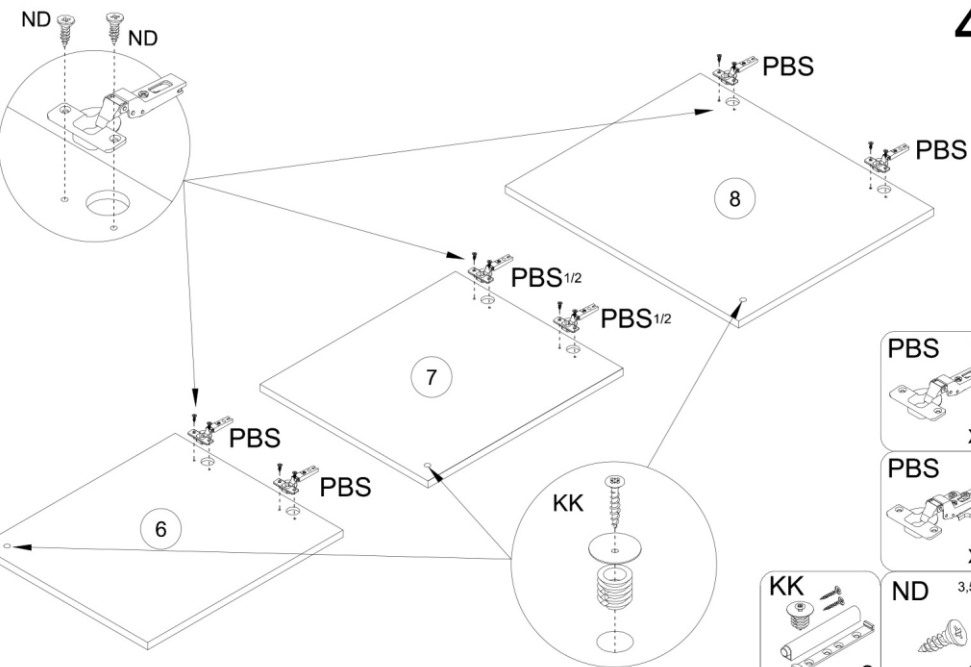


- KK x1
- RBS 1/2 x2
- H 6,3x13 x4
- ND 3,5x16 x2
- PPW x1
- A x4



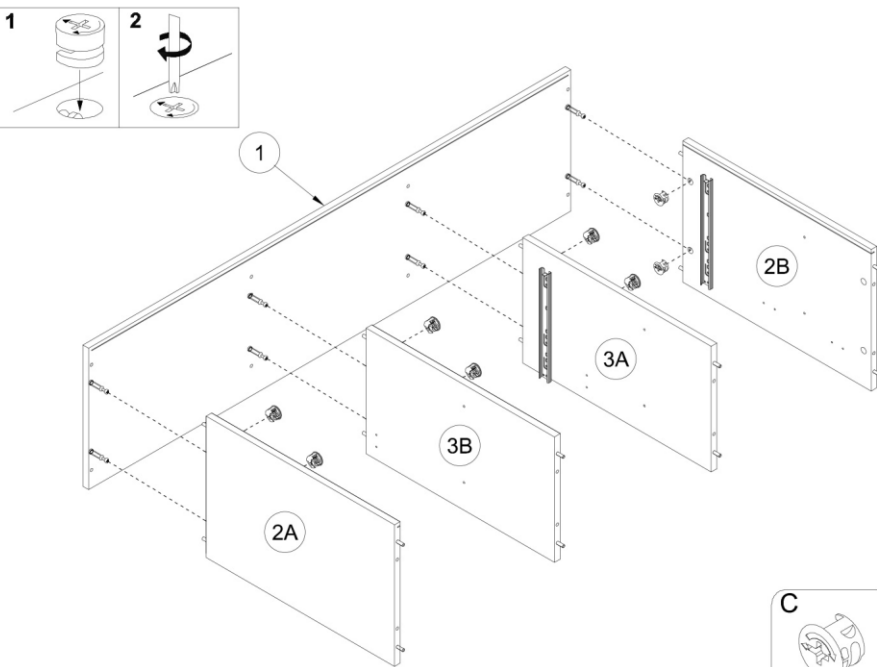
5

- KK x2
- B x16



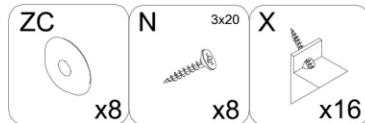
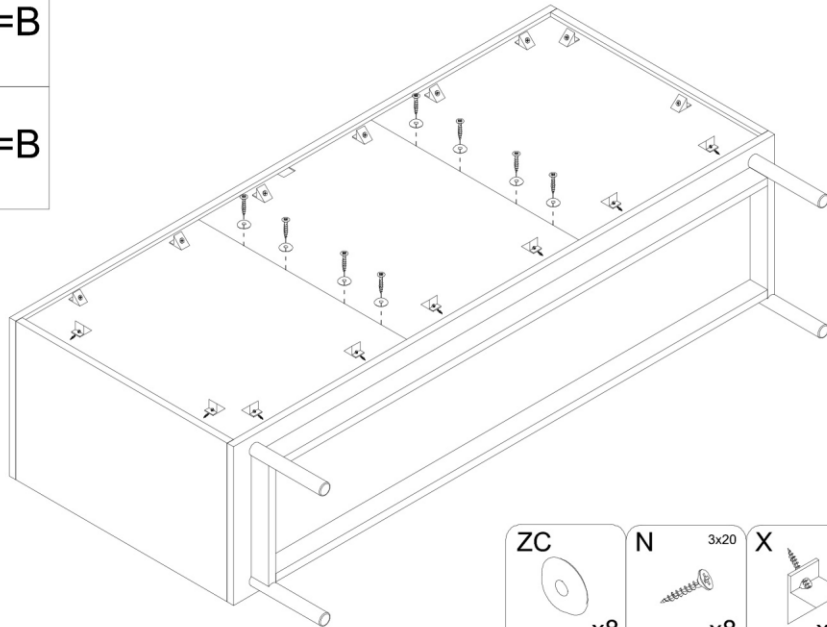
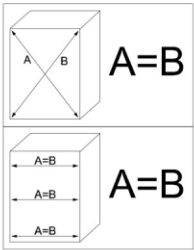
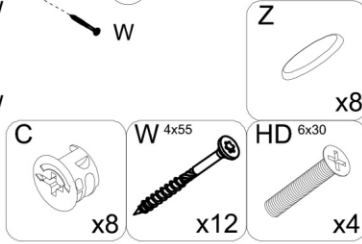
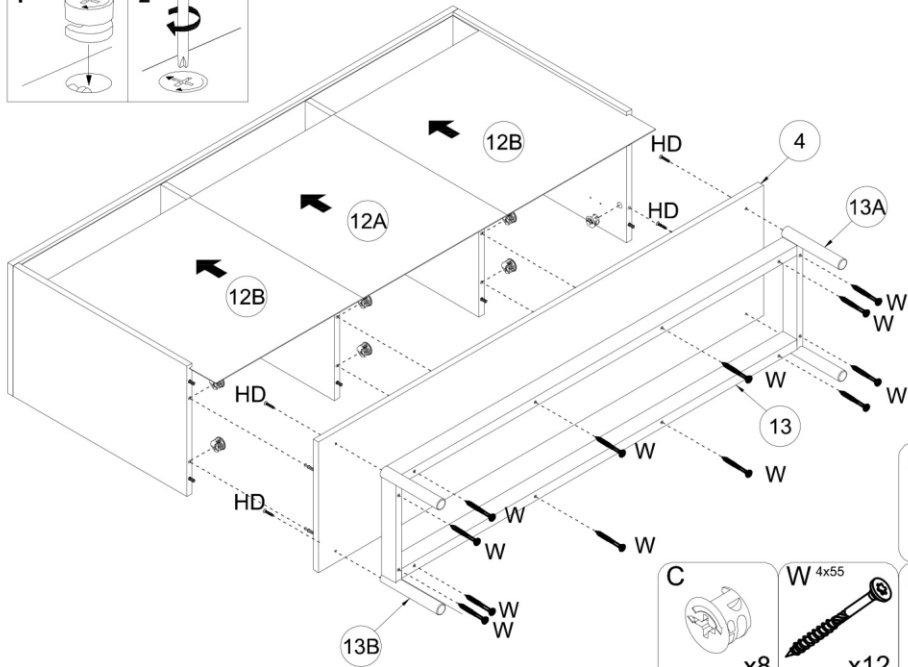
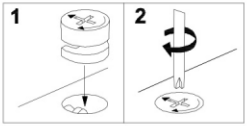
4

- PBS 1/2 x2
- PBS x4
- KK x3
- ND 3,5x16 x12

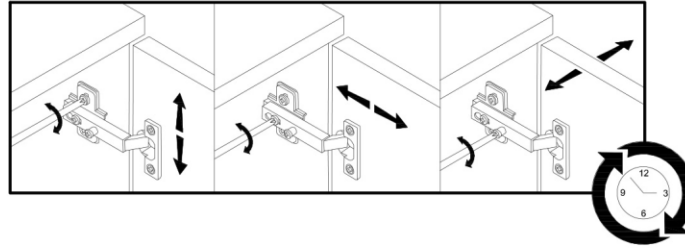


6

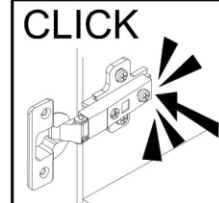
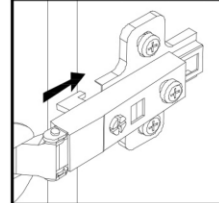
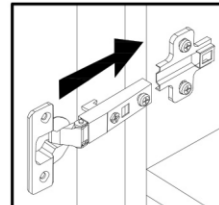
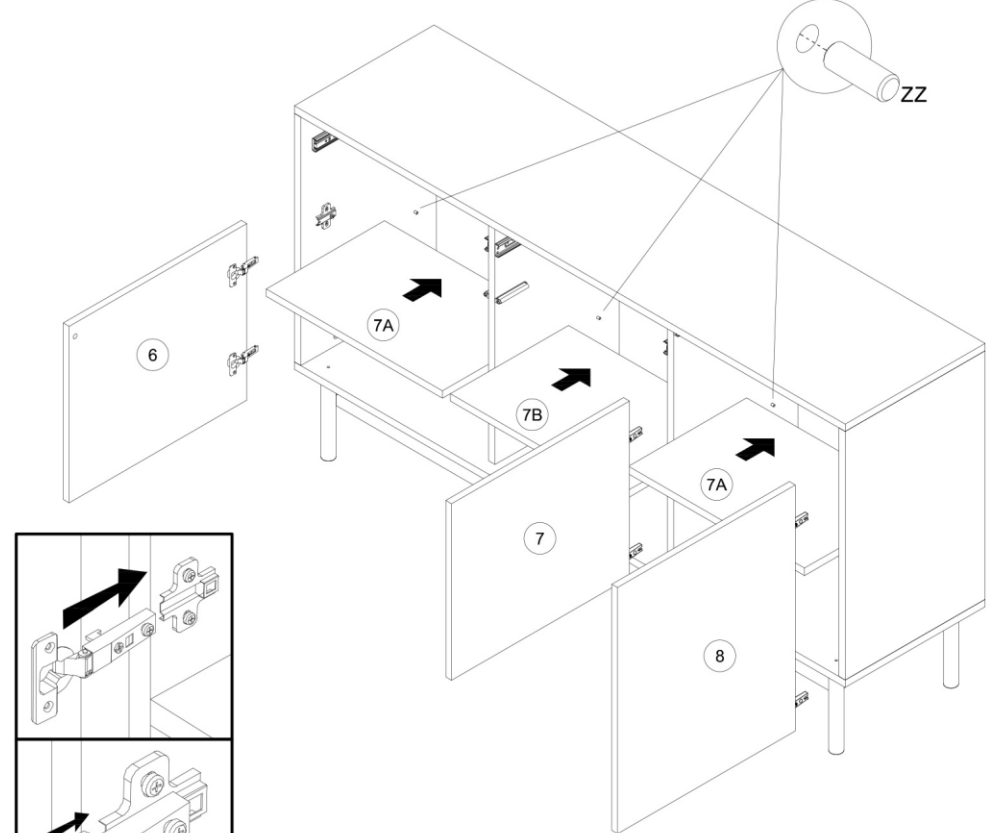
- C x8
- Z x8

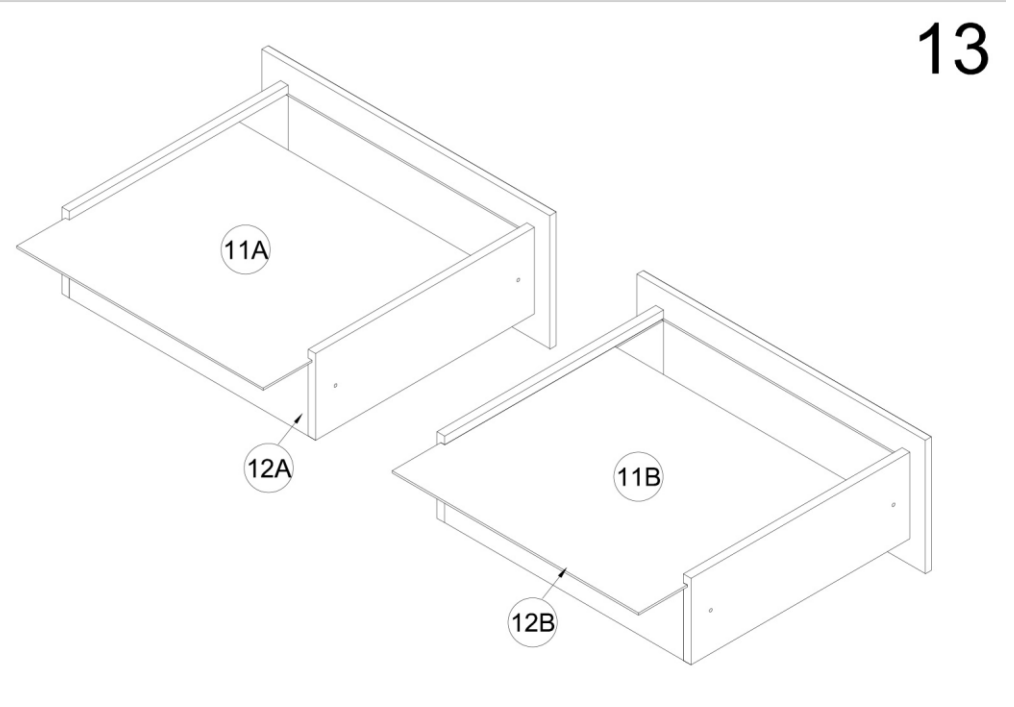
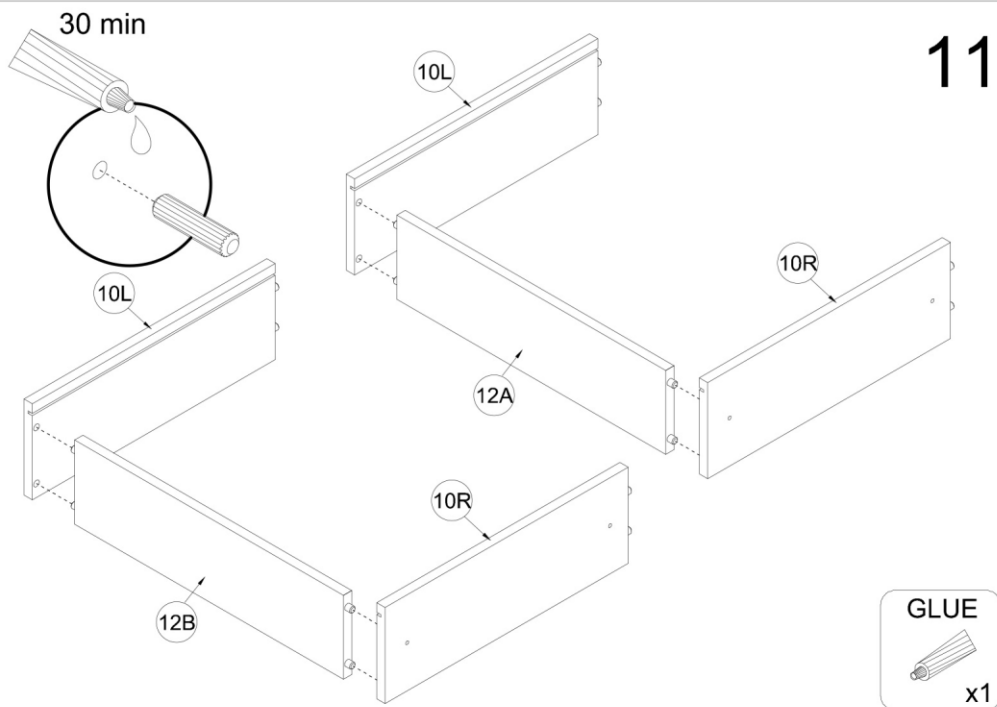
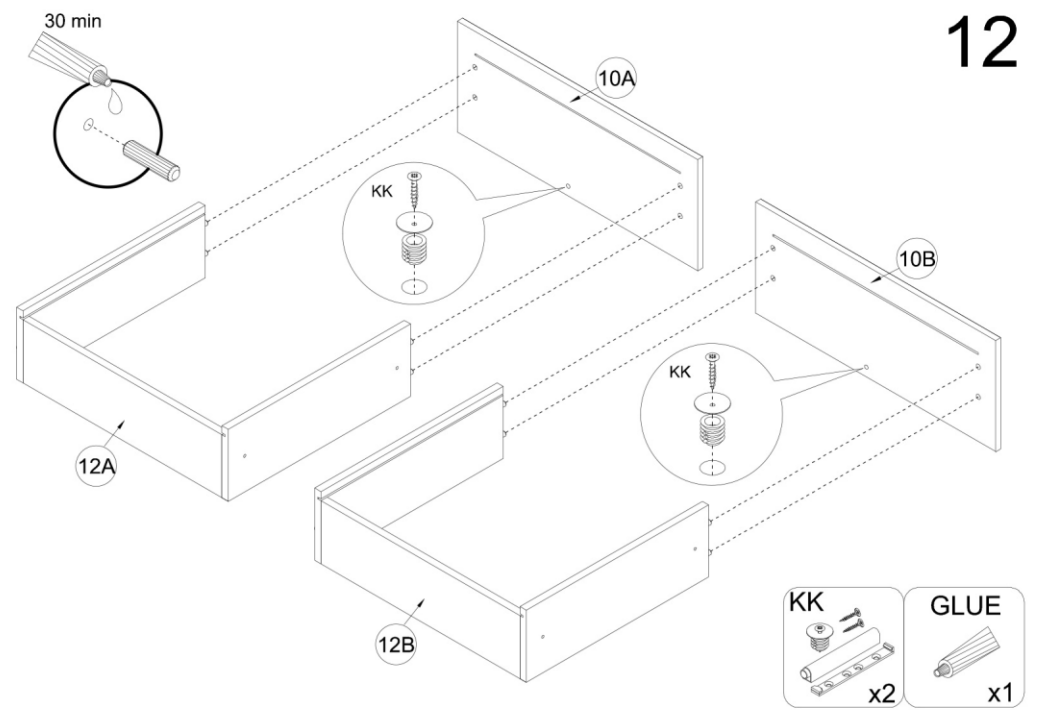
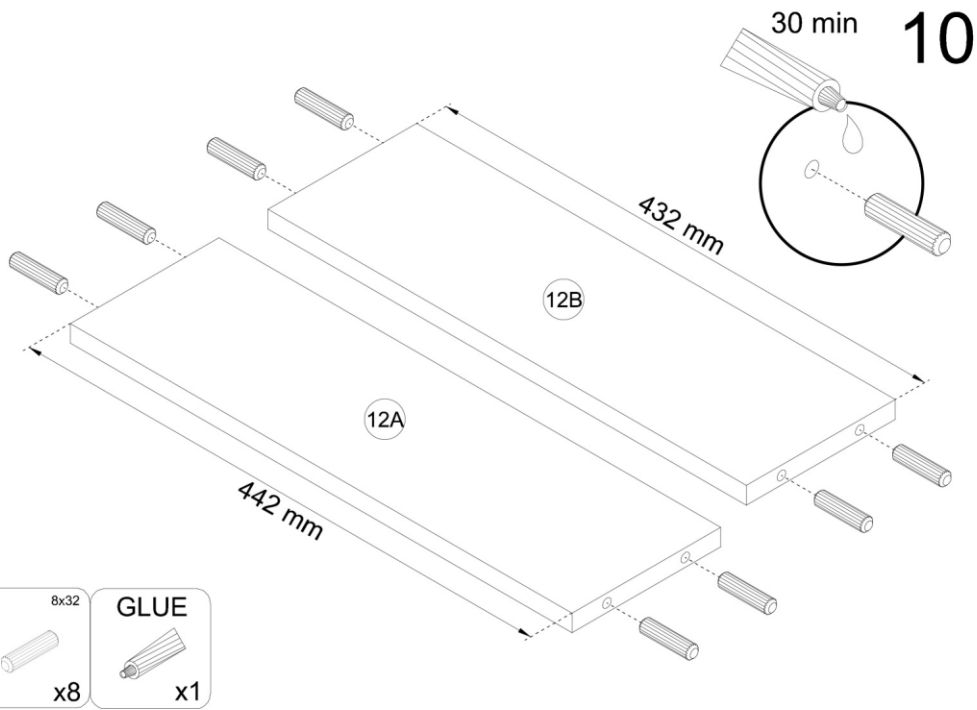


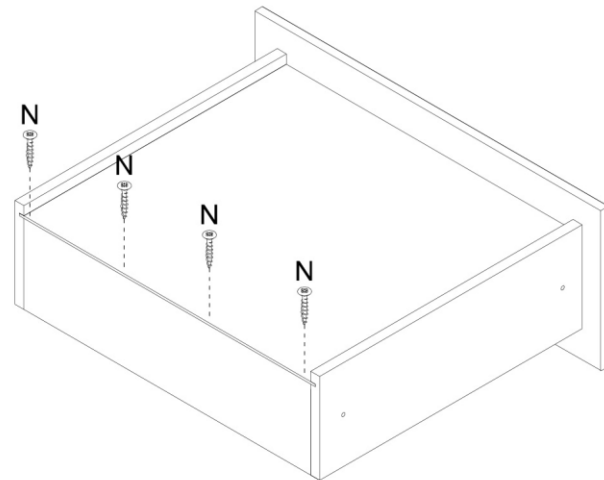
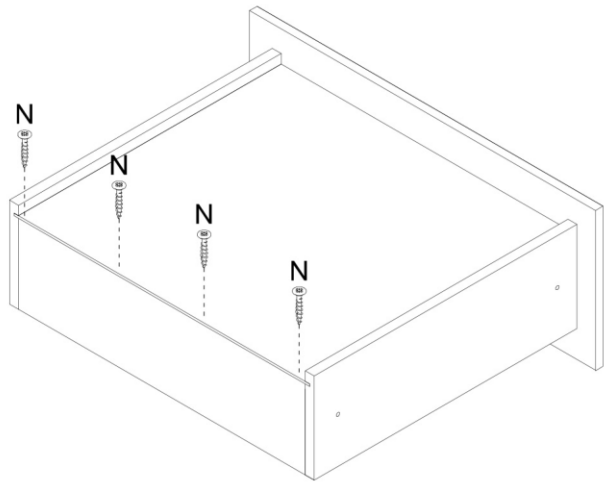
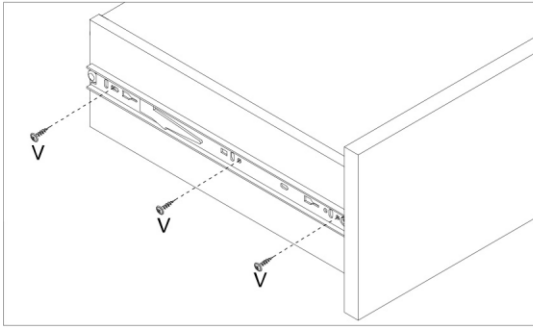
7






9



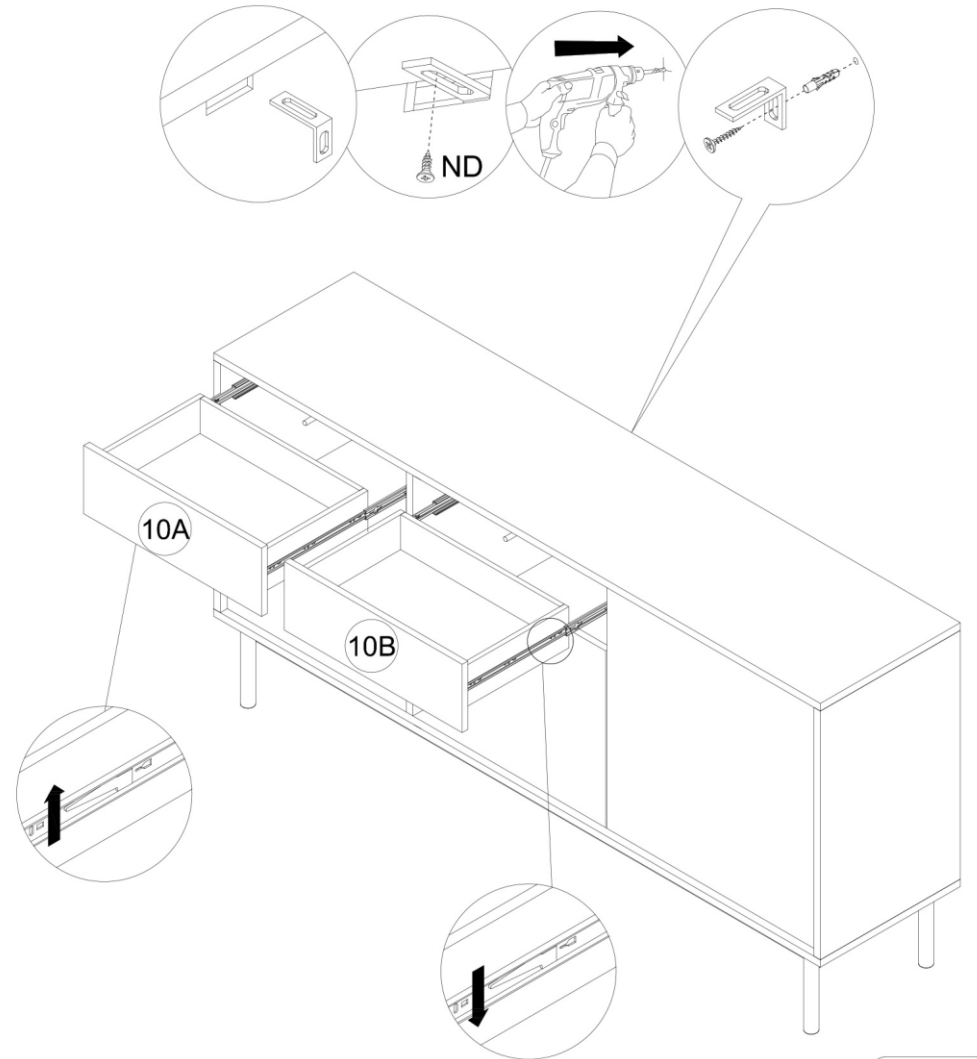







14

- PPW  X4
- N  3x20 x8
- V  3x13 x12

15



- ND  3,5x16 x1
- TB  x1
- TA  x1